

# Installation and Rough-In Information Addendum

- Upper dimensions are in inches, lower dimensions [ ] are in centimeters.
- The centerline dimension reflects the center of the basin. This does not reflect the center of the stated width as that particular dimension includes the cup holder shelf.
- Note: Back and side setbacks are only guidelines. These dimensions could be less than stated. (ex: six inch clearance edge of spa to back wall could be zero)
- For two or more units, refer to “Multiple Side X Side – Drawing #2 for reference dimensions.
- If utilizing accessory cart(s), an additional ten (10) inches (25.4 cm) between each unit is recommended. (Carts may be shared to save space)
- Electrical Requirements: One (1) dedicated 20 amp, GFCI protected wall outlet/circuit per unit located within two (2) feet of the rear of the unit. (Actual draw is 5 amps) Each unit will be supplied with a standard three (3) foot grounded power cord.
- Water Supply: One (1) each ½” hot and cold water supply. Preferred location through the wall behind the unit (suggested range 4” to 12” apart on center, 4” to 8” above the finish floor) or may be roughed up from the floor where shown. Provide ½” shut off valves and ½” male MPT connections.
- Installation of optional drain pump must be noted on original customer order. Drain pump **MUST** be factory installed. If wall drain is required, ¾” ID MPT should be utilized.

## **Special Information regarding gravity drain installations**

- Always check with local plumbing inspectors for possible special requirements pertaining to pedicure units.
- Gravity drain is always preferred. If drain pump is NOT required, unit should be ordered WITHOUT drain pump.
- For gravity drain installations, refer to Plumbing Rough-In Drawing #4 and/or #5. If an air gap is required, also refer to Drawing #6.
- Gravity drain: One (1) 1-1/2” trapped waste is required. Outlet is 1-1/2” female PVC, 3” above the finish floor. A sleeve around the waste line may be necessary to allow for connection to the unit drain connection. Installation is similar to that of a bathtub.

CONTINUUM FOOTSPAS

MODEL: THE MAESTRO®

PH- 877-255-3030

[WWW.CONTINUUMFOOTSPAS.COM](http://WWW.CONTINUUMFOOTSPAS.COM)

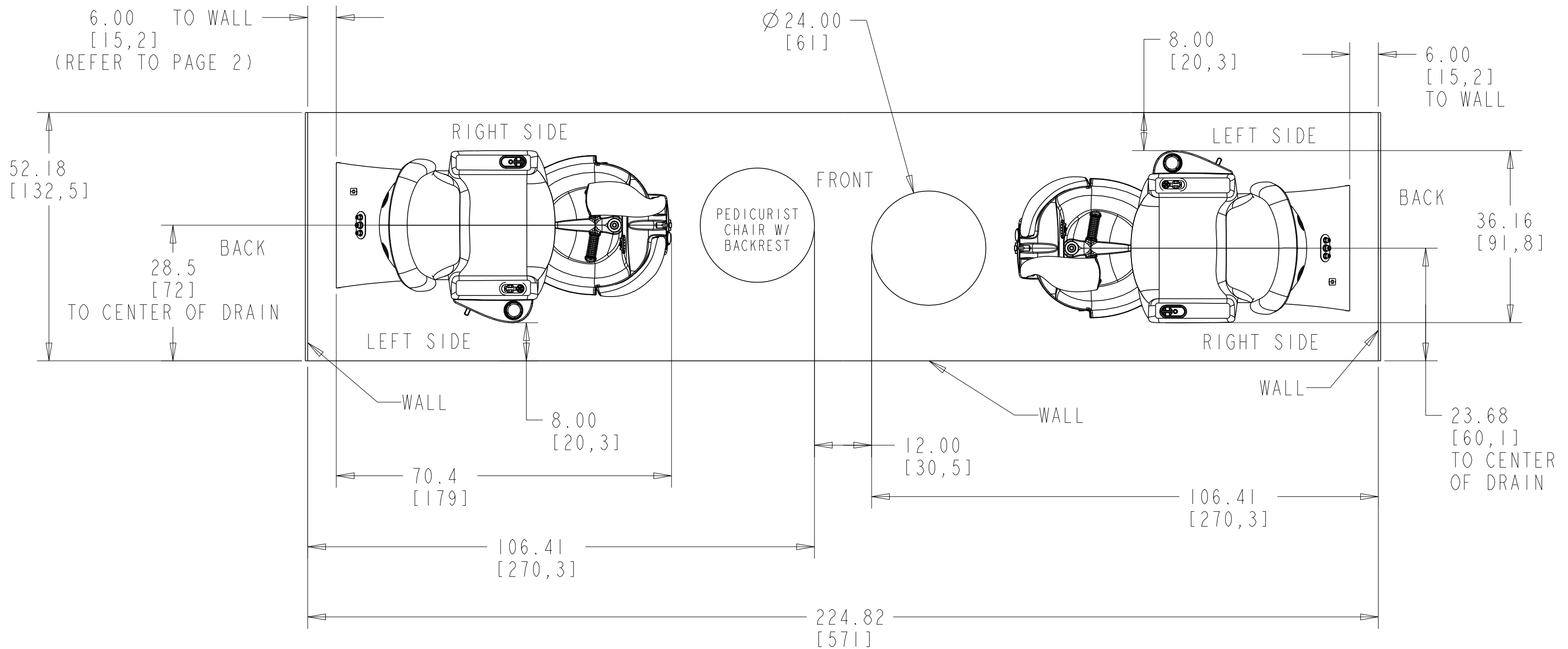
August, 2009

CAUTION - EXTREMELY IMPORTANT

PAGE 1 OF 2 - THIS DRAWING IS NOT COMPLETE  
UNLESS ACCOMPANIED BY AN ADDENDUM

ENTITLED:  
"INSTALLATION AND ROUGH-IN INFORMATION".

PLEASE REVIEW IT CAREFULLY.



(AUGUST, 2009)

ACROSS INSTALLATION - DRAWING #3

LEGEND:  
UPPER DIMENSIONS ARE IN INCHES  
LOWER DIMENSIONS [ ] ARE IN CENTIMETERS

CONTINUUM FOOTSPAS  
MODEL: THE MAESTRO™  
PH - 877-255-3030  
WWW.CONTINUUMFOOTSPAS.COM