

# INSTALLATION AND ROUGH-IN INFORMATION

**IMPORTANT - This sheet MUST accompany each installation drawing**

**IMPORTANT: The Echo Pedicure Chair MUST be installed by a licensed electrician and a licensed plumber in accordance with all national, state and local codes/regulations.**

- Upper dimensions are in inches, lower dimensions [ ] are in centimeters.
- For two or more units, refer to "Multiple Side X Side - Drawing #2 for reference dimensions.
- If utilizing accessory cart(s), an additional ten (10) inches (25.4 cm) between each unit is recommended. (Carts may be shared to save space)
- Electrical Requirements: One (1) dedicated 15 amp, GFCI protected wall outlet/circuit per unit located with in two (2) feet of the rear of the Pedicure Chair. (Actual draw is 5 amps) Each Pedicure Chair will be supplied with a standard five (5) foot grounded power cord.
- Water Supply: One (1) each 1/2" hot and cold water supply. Preferred location through the wall behind the Pedicure Chair (suggested range 4" to 12" apart on center, 4" to 8" A.F.F. (above finished floor) or may be roughed in from the floor where shown. Provide 1/2" shut off valves and 1/2" MPT connections.
- Installation of optional drain pump MUST be noted on original customer order. Drain pump MUST be factory installed.
- If wall drain is utilized, 3/4" ID MPT should be installed. Suggested location is centered between Hot and Cold water supply inlets, 4" to 8" A.F.F. Use 3/4" ID hose to connect Pedicure Chair to wall drain.

## SPECIAL INFORMATION REGARDING GRAVITY DRAIN INSTALLATIONS

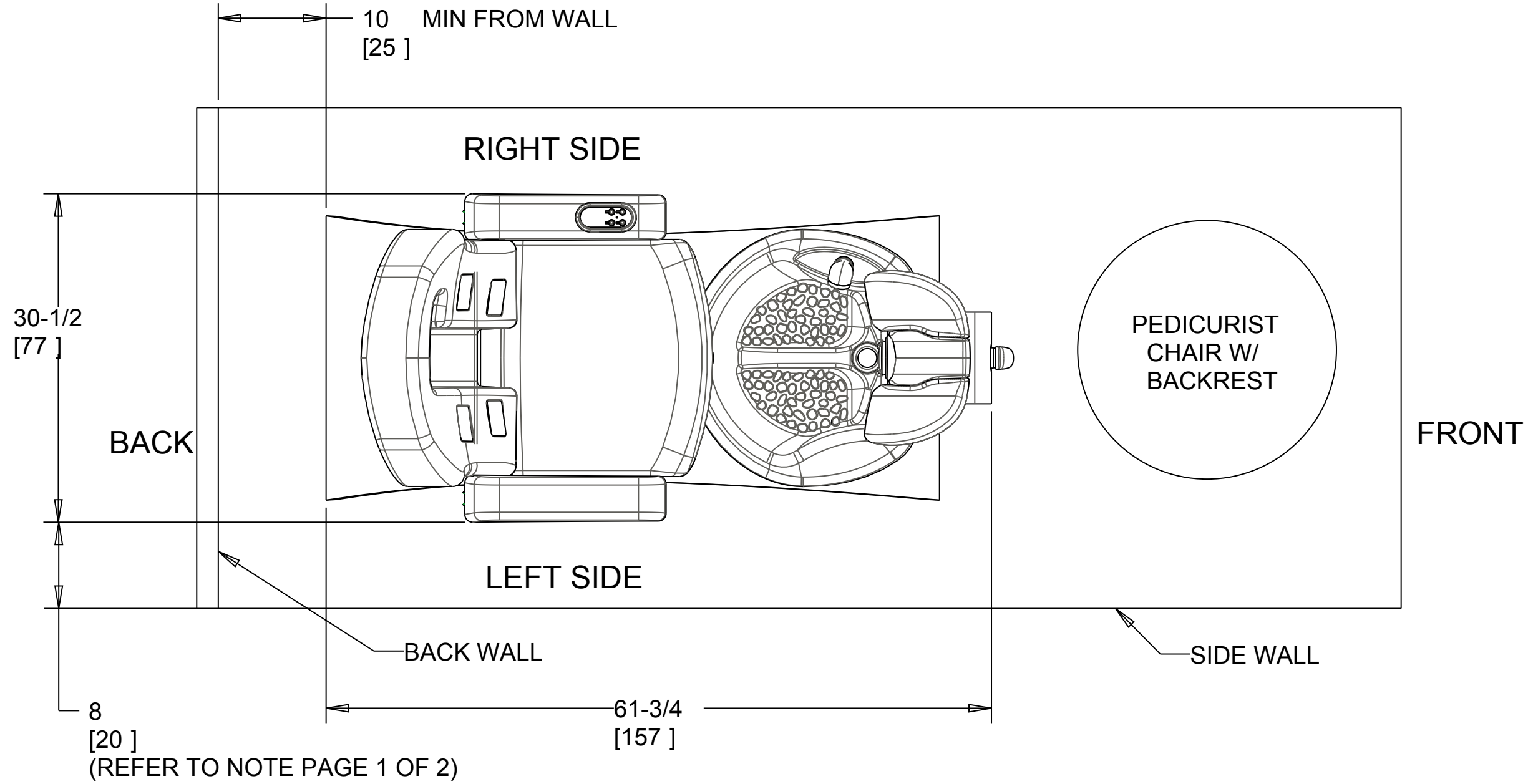
- Always check with local plumbing inspectors for possible special requirements pertaining to Pedicure Chairs.
- Gravity drain is always preferred. If drain pump is NOT required, unit should be ordered WITHOUT drain pump.
- For gravity drain installations, refer to Plumbing Rough-In Drawing #4 and/or #5. If an air gap is required, also refer to Drawing #6.
- Gravity drain: Basin outlet is 1-1/2" female PVC.  
Rough-in: 3" minimum Hub Drain, 2" A.F.F.

CONTINUUM FOOTSPAS  
MODEL: THE ECHO®  
PH - 877-255-3030  
WWW.CONTINUUMFOOTSPAS.COM

June, 2010

**CAUTION - EXTREMELY IMPORTANT**

PAGE 2 OF 2 - THIS DRAWING IS NOT COMPLETE UNLESS ACCOMPANIED BY ADDENDUM ENTITLED "INSTALLATION AND ROUGH-IN INFORMATION." PLEASE REVIEW IT CAREFULLY.



**SINGLE INSTALLATION "ECHO" - DRAWING #1**  
**PAGE 2 OF 2**

(MAY, 2010)

LEGEND:  
UPPER DIMENSIONS ARE IN INCHES  
LOWER DIMENSIONS { } ARE IN CENTIMETERS

CONTINUUM FOOTSPAS  
MODEL: ECHO™  
PH - 877-255-3030  
WWW.CONTINUUMFOOTSPAS.COM