

INSTALLATION AND ROUGH-IN INFORMATION

IMPORTANT - This sheet MUST accompany each installation drawing

IMPORTANT: The Maestro Pedicure Spa MUST be installed by a licensed electrician and a licensed plumber in accordance with all national, state and local codes/regulations.

- NOTE: The 6" setback dimension is only a guideline. This dimension may be less than stated. For example: The pedicure chair may be placed flush against a back wall. **IMPORTANT NOTE: If one changes the 6" setback clearance dimension, other dimensions change as well.**
- Upper dimensions are in inches, lower dimensions [] are in centimeters.
- The centerline dimension reflects the center of the basin. This does not reflect the center of the stated width as that particular dimension includes the cup holder shelf.
- For two or more units, refer to "Multiple Side X Side - Drawing #2 for reference dimensions.
- If utilizing accessory cart(s), an additional ten (10) inches (25.4 cm) between each unit is recommended. (Carts may be shared to save space)
- Electrical Requirements: One (1) dedicated 20 amp, GFCI protected wall outlet/circuit per unit located within two (2) feet of the rear of the spa. (Actual draw is 5 amps) Each unit will be supplied with a standard three (3) foot grounded power cord.
- Water Supply: One (1) each 1/2" hot and cold water supply. Preferred location through the wall behind the spa (suggested range 4" to 12" apart on center, 4" to 8" A.F.F. (above finished floor) or may be roughed in from the floor where shown. Provide 1/2" shut off valves and 1/2" MPT connections.
- Installation of optional drain pump MUST be noted on original customer order. Drain pump MUST be factory installed.
- If wall drain is utilized, 3/4" ID MPT should be installed. Suggested location is centered between Hot and Cold water supply inlets, 4" to 8" A.F.F. Use 3/4" ID hose to connect spa to wall drain.

SPECIAL INFORMATION REGARDING GRAVITY DRAIN INSTALLATIONS

- Always check with local plumbing inspectors for possible special requirements pertaining to pedicure spas.
- Gravity drain is always preferred. If drain pump is NOT required, unit should be ordered WITHOUT drain pump.
- For gravity drain installations, refer to Plumbing Rough-In Drawing #4 and/or #5. If an air gap is required, also refer to Drawing #6.
- Gravity drain: Basin outlet is 1" female PVC.
Rough-in: 3" minimum Hub Drain, 2" A.F.F.

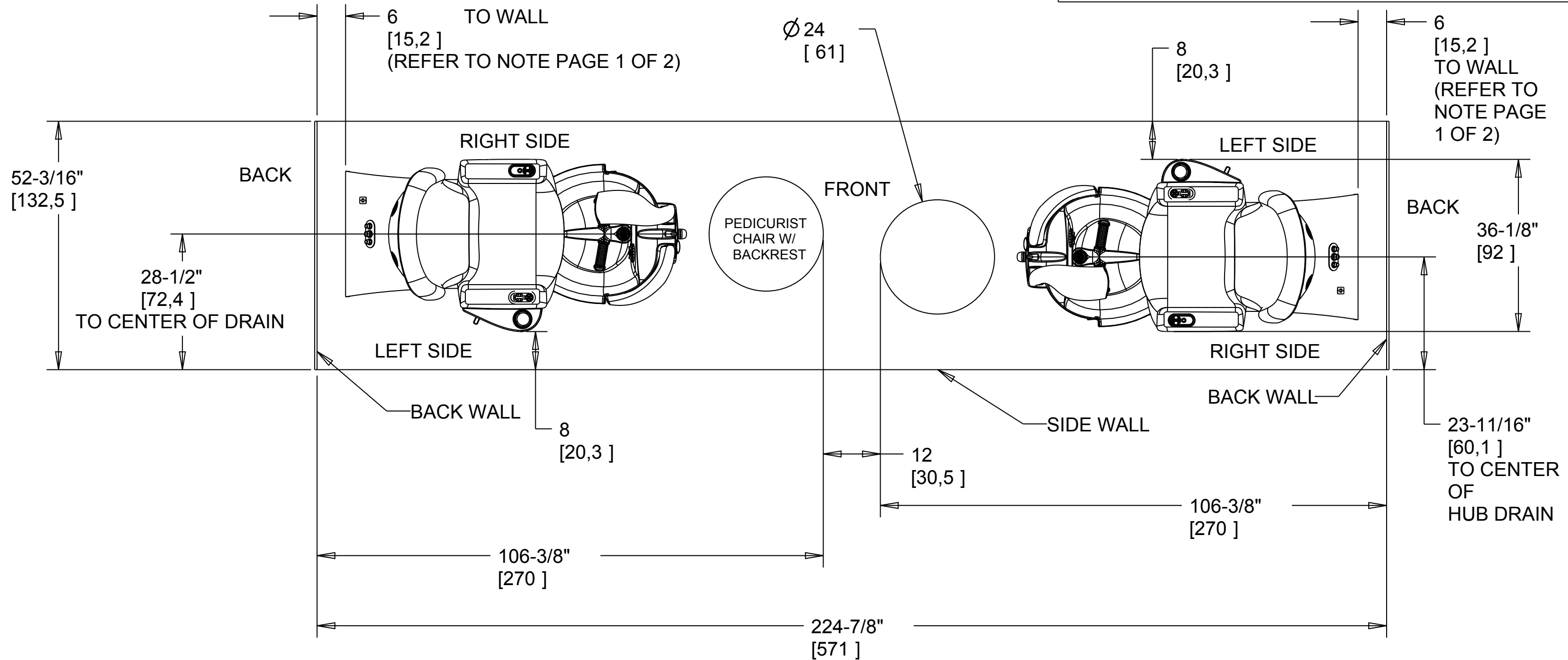
CONTINUUM FOOTSPAS
MODEL: THE MAESTRO®
PH - 877-255-3030
WWW.CONTINUUMFOOTSPAS.COM

Revised June, 2010

CAUTION - EXTREMELY IMPORTANT

PAGE 2 OF 2 - THIS DRAWING IS NOT COMPLETE
UNLESS ACCOMPANIED BY ADDENDUM
ENTITLED:
"INSTALLATION AND ROUGH-IN INFORMATION".

PLEASE REVIEW IT CAREFULLY.



LEGEND:
UPPER DIMENSIONS ARE IN INCHES
LOWER DIMENSIONS [] ARE IN CENTIMETERS

ACROSS INSTALLATION "MAESTRO" - DRAWING #3
PAGE 2 OF 2

(MAY, 2010)

CONTINUUM FOOTSPAS
MODEL: THE MAESTRO™
PH - 877-255-3030
WWW.CONTINUUMFOOTSPAS.COM