

# INSTALLATION AND ROUGH-IN INFORMATION

**IMPORTANT - This sheet MUST accompany each Installation Drawing**

**IMPORTANT: The Maestro Pedicure Spa MUST be installed by a licensed electrician and a licensed plumber in accordance with all national, state and local codes/regulations.**

## **IMPORTANT: Special Installation Requirements Pertaining To The State of Wisconsin**

### **Gravity Drain**

Pedicure chairs installed in this manner (Gravity Drain) MUST be treated like a bathtub installation and connect directly to the fixture trap most likely below the floor. Approved couplings (i.e. Fernco or Clamp All) may be utilized.

### **Pump Discharge**

The pump discharge MUST terminate into an approved receptor with an air break. An air gap is not required.

- NOTE: The 6" setback dimension is only a guideline. This dimension may be less than stated. For example: The pedicure chair may be placed flush against a back wall. **IMPORTANT NOTE: If one changes the 6" setback clearance dimension, other dimensions change as well.**
- Upper dimensions are in inches, lower dimensions [ ] are in centimeters.
- **DEPENDING ON THE USE OF MANICURE TRAYS, THE EXACT DISTANCE BETWEEN PEDICURE CHAIRS WILL VARY GREATLY. THIS MUST BE DISCUSSED PRIOR TO INSTALLATION TO ENSURE ADEQUATE WORKING SPACE.**  
Cup holder is standard with Maestro. Right side manicure tray may have a built-in cup holder. Please contact Continuum Footspas if additional information is required.
- **IMPORTANT! PLEASE DISCUSS CURVED PANELS WITH CUSTOMERS**  
**When replacing pedicure chairs, the curved plastic panels that are standard on most Continuum models may NOT cover existing connections beneath older pedicure chairs. Concealment Panels that extend to the floor will address this issue.**  
**Curved Concealment Panels that extend to the floor MUST be specified AT TIME OF ORDERING.**
- Electrical Requirements: One (1) dedicated 20 amp, GFCI protected wall outlet/circuit per unit located within two (2) feet of the rear of the pedicure chair. (Actual draw is 5 amps) Each unit will be supplied with a standard four (4) foot grounded power cord. If utilizing an in-floor electrical box, (EB) position box underneath curved plastic shrouds centered between H/C water inlets.
- Water Supply: One (1) each 1/2" hot and cold water supply. Location shut-offs on the wall behind the Pedicure Chair (suggested range 4" to 12" apart on center, 4" to 8" A.F.F. (above finished floor) or may be roughed in through the floor as noted on **Drawing #3**. Provide 1/2" shut off valves and 1/2" MPT connections.
- Installation of optional drain pump MUST be noted on original customer order. Drain pump MUST be factory installed.
- If wall drain is utilized, 3/4" ID MPT should be installed. Suggested location is centered between Hot and Cold water supply inlets, 4" to 8" A.F.F. Use 3/4" ID hose to connect spa to wall drain.

## **SPECIAL INFORMATION REGARDING GRAVITY DRAIN INSTALLATIONS**

- Always check with local plumbing inspectors for possible special requirements pertaining to pedicure chairs.
- **Gravity drain is always preferred.** If drain pump is NOT required, unit should be ordered WITHOUT drain pump.
- For gravity drain installations, refer to Plumbing Rough-In **Drawing #3**. If an air gap is required, also refer to **Drawing #4**.
- Gravity drain: Basin outlet is 1-1/2" female. Rough-in: 3" Hub Drain is recommended, 2" A.F.F.
- With **Standard Through Floor Installation**, it is recommended both H/C supply lines be located in the back portion of the spa (see Drawing #3). Electrical box may be centered between supply lines. Attempting to locate supply lines near the hub drain is possible but difficult due to space constraints, consequently it is NOT recommended. However, if supply lines are located in front, they remain 3.5" left and right of C/L and 16" back from C/L of hub drain.

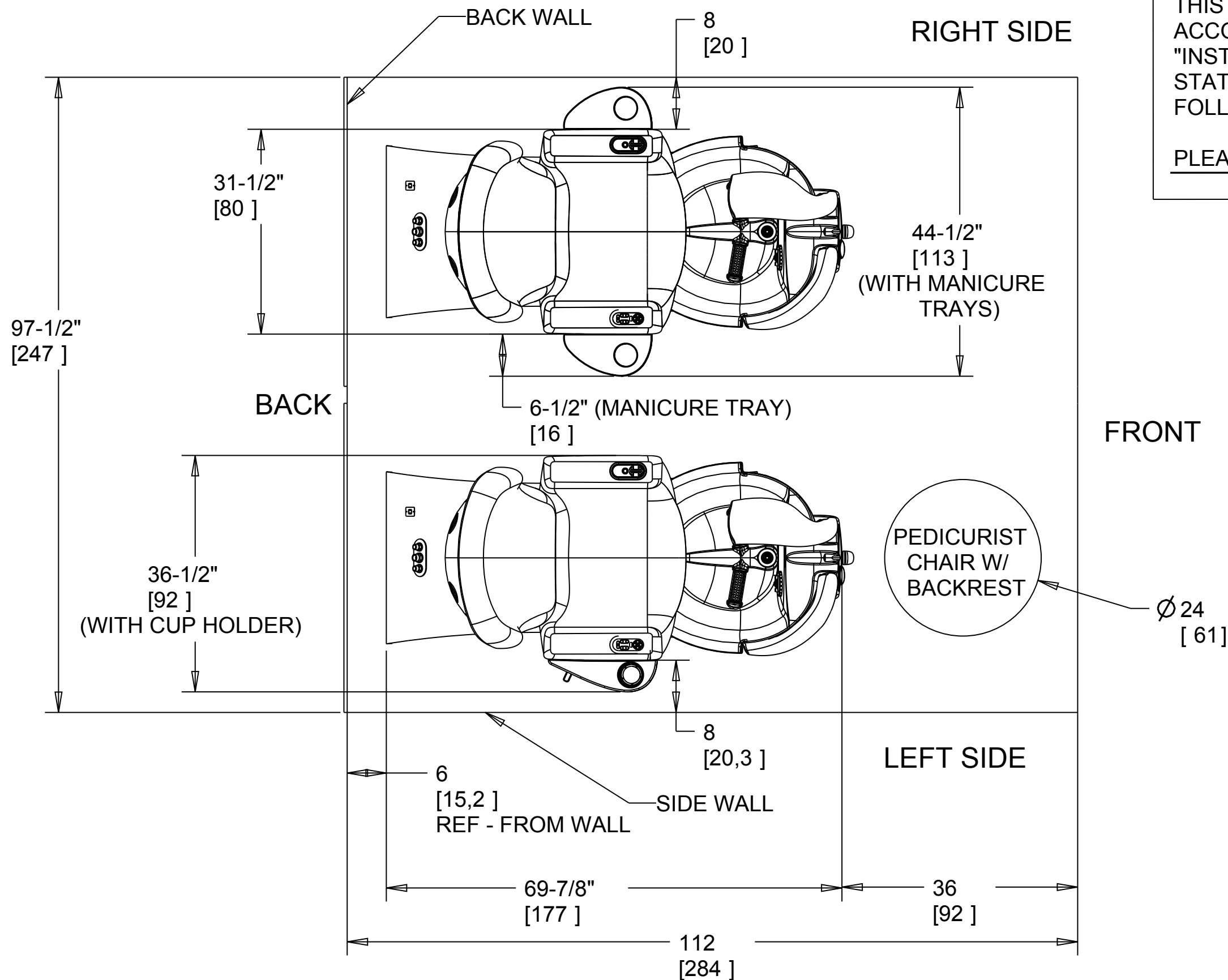


CONTINUUM FOOTSPAS  
MODEL: THE MAESTRO®  
PH - 877-255-3030  
SALONPEDICURESPAS.COM

**CAUTION - EXTREMELY IMPORTANT**

THIS DRAWING IS NOT COMPLETE UNLESS ACCOMPANIED BY "PAGE 1 OF 2" ENTITLED: "INSTALLATION AND ROUGH-IN INFORMATION". STATE OF WISCONSIN INSTALLATIONS MUST FOLLOW REQUIREMENTS AS NOTED ON "PAGE 1 OF 2".

PLEASE REVIEW ALL INFORMATION CAREFULLY.



**VERY IMPORTANT:**

DEPENDING ON USE OF MANICURE TRAYS AND/OR CARTS. THE DISTANCE BETWEEN PEDICURE CHAIRS CAN VARY GREATLY. THIS MUST BE DISCUSSED PRIOR TO INSTALLATION IN ORDER TO ENSURE ADEQUATE WORKING SPACE.

(MARCH, 2012)

CONTINUUM FOOTSPAS  
 MODEL: THE MAESTRO™  
 PH - 877-255-3030  
 WWW.CONTINUUMFOOTSPAS.COM

LEGEND:  
 UPPER DIMENSIONS ARE IN INCHES  
 LOWER DIMENSIONS [ ] ARE IN CENTIMETERS

# INSTALLATION DRAWING #3 - "MAESTRO"

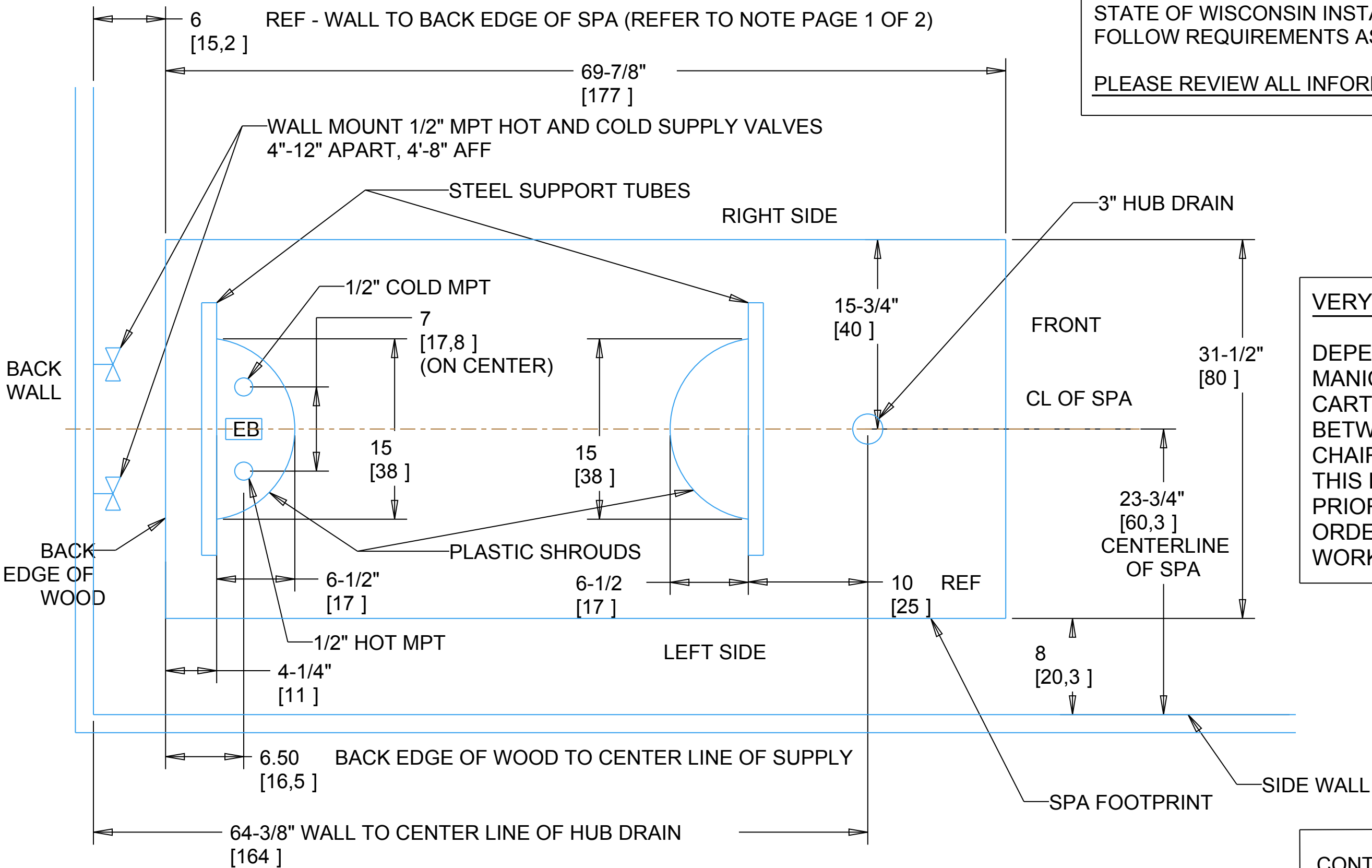
## PLUMBING ROUGH-IN, STANDARD THROUGH FLOOR

### PAGE 2 OF 2

**CAUTION - EXTREMELY IMPORTANT**

THIS DRAWING IS NOT COMPLETE UNLESS ACCOMPANIED BY "PAGE 1 OF 2" ENTITLED: "INSTALLATION AND ROUGH-IN INFORMATION". STATE OF WISCONSIN INSTALLATIONS MUST FOLLOW REQUIREMENTS AS NOTED ON "PAGE 1 OF 2".

PLEASE REVIEW ALL INFORMATION CAREFULLY.



**VERY IMPORTANT:**

DEPENDING ON USE OF MANICURE TRAYS AND/OR CARTS. THE DISTANCE BETWEEN PEDICURE CHAIRS CAN VARY GREATLY. THIS MUST BE DISCUSSED PRIOR TO INSTALLATION IN ORDER TO ENSURE ADEQUATE WORKING SPACE.

(MARCH, 2012)

**LEGEND:**  
 UPPER DIMENSIONS ARE IN INCHES  
 LOWER DIMENSIONS [ ] ARE IN CENTIMETERS

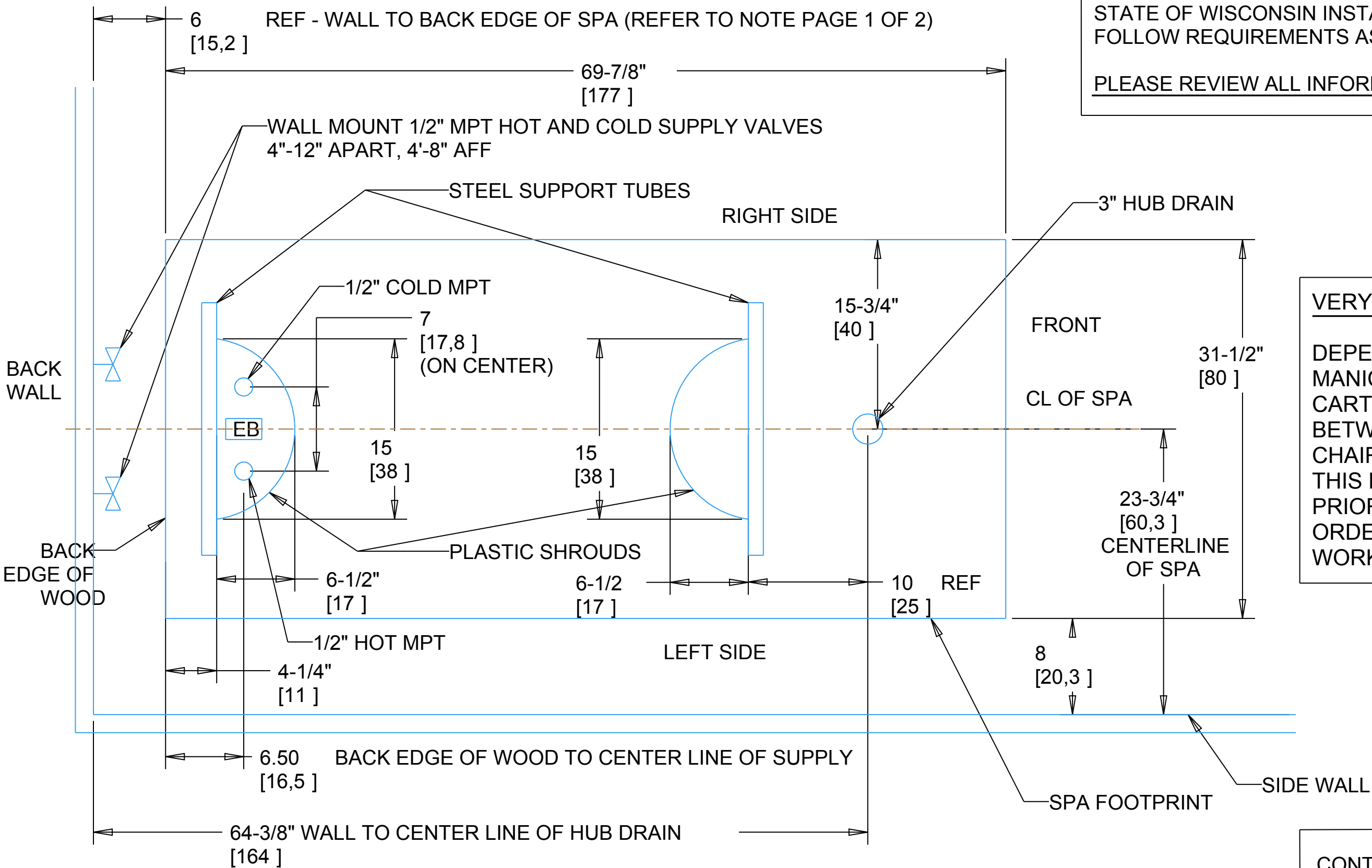
CONTINUUM FOOTSPAS  
 MODEL: THE MAESTRO™  
 PH - 877-255-3030  
 WWW.CONTINUUMFOOTSPAS.COM

# INSTALLATION DRAWING #3 - "MAESTRO" PLUMBING ROUGH-IN, STANDARD THROUGH FLOOR PAGE 2 OF 2

**CAUTION - EXTREMELY IMPORTANT**

THIS DRAWING IS NOT COMPLETE UNLESS ACCOMPANIED BY "PAGE 1 OF 2" ENTITLED: "INSTALLATION AND ROUGH-IN INFORMATION". STATE OF WISCONSIN INSTALLATIONS MUST FOLLOW REQUIREMENTS AS NOTED ON "PAGE 1 OF 2".

PLEASE REVIEW ALL INFORMATION CAREFULLY.



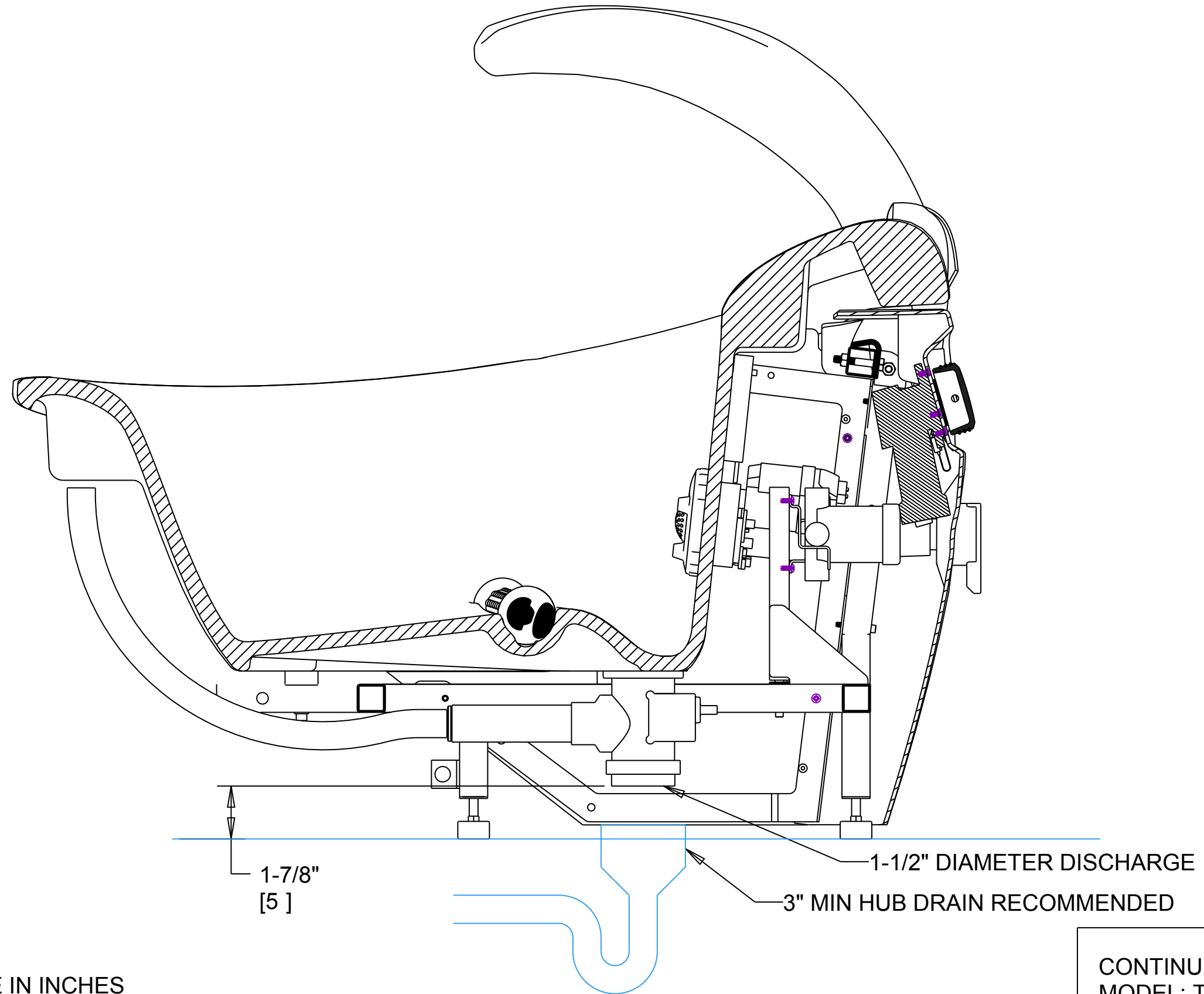
**VERY IMPORTANT:**  
DEPENDING ON USE OF MANICURE TRAYS AND/OR CARTS. THE DISTANCE BETWEEN PEDICURE CHAIRS CAN VARY GREATLY. THIS MUST BE DISCUSSED PRIOR TO INSTALLATION IN ORDER TO ENSURE ADEQUATE WORKING SPACE.

(MARCH, 2012)

**LEGEND:**  
UPPER DIMENSIONS ARE IN INCHES  
LOWER DIMENSIONS [ ] ARE IN CENTIMETERS

CONTINUUM FOOTSPAS  
MODEL: THE MAESTRO™  
PH - 877-255-3030  
WWW.CONTINUUMFOOTSPAS.COM

INSTALLATION DRAWING #4 - "MAESTRO"  
INDIRECT WASTE RECEPTOR (IF AIR GAP IS REQUIRED BY LOCAL CODE)  
PAGE 2 OF 2



LEGEND:  
UPPER DIMENSIONS ARE IN INCHES  
LOWER DIMENSIONS [ ] ARE IN CENTIMETERS

CONTINUUM FOOTSPAS  
MODEL: THE MAESTRO™  
PH - 877-255-3030  
WWW.CONTINUUMFOOTSPAS.COM

(MARCH, 2012)